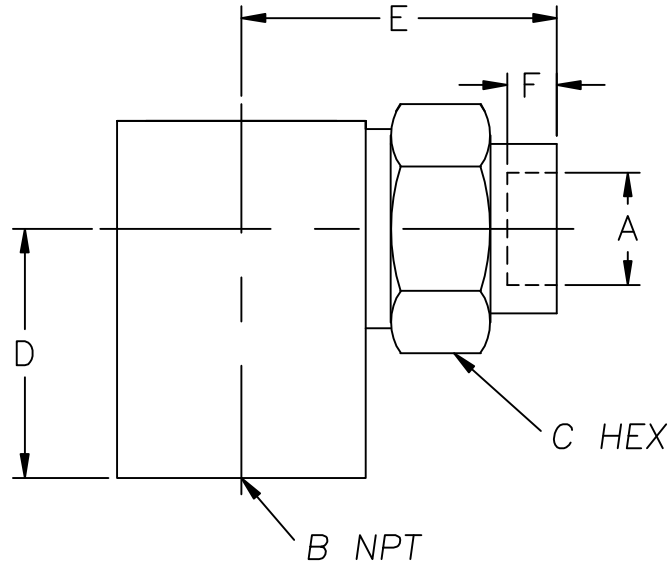


UNION ELBOW – PIPE TO FEMALE NPT



MP322 SERIES

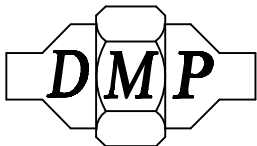
PART NO.	A IPS	B NPT	C-HEX	D	E	F
MP322-4	1/4	1/4-18	1 1/8	1 7/16	2 1/16	3/8
MP322-6	3/8	3/8-18	1 3/8	1 9/16	2 1/4	3/8
MP322-8	1/2	1/2-14	1 5/8	1 15/16	2 3/4	3/8
MP322-12	3/4	3/4-14	1 5/8	1 15/16	2 3/4	1/2
MP322-16	1"	1 1/2	2 3/8	2 3/8	3 5/16	1/2
MP322-20	1 1/4	1 1/4-11 1/2	3 1/4	2 1/2	3 3/4	1/2
MP322-24	1 1/2	1 1/2-11 1/2	3 1/4	2 1/2	3 3/4	1/2

- STANDARD MATERIALS: STAINLESS STEEL, NICU, STEEL AND 70/30 CUNI.
OTHER MATERIALS AVAILABLE UPON REQUEST.
3000 PSI WORKING PRESSURE.
- REDUCING FITTINGS AVAILABLE, CONSULT FACTORY.
- FOR TUBE (OD) SOCKET FITTINGS SEE SECTION MT322.
- METRIC SIZES AVAILABLE, CONSULT FACTORY.
- FOR ADDITIONAL INFORMATION SEE MP ENGINEERING DATA SHEETS.
- DIMENSIONS SUBJECT TO CHANGE WITHOUT NOTICE.

DERBYSHIRE MARINE PRODUCTS LLC, HARLEYSVILLE, PA 19438

TEL: 267-222-8900, FAX: 267-222-8865

Web: www.derbyshiremp.com



"GET THE CONNECTION"