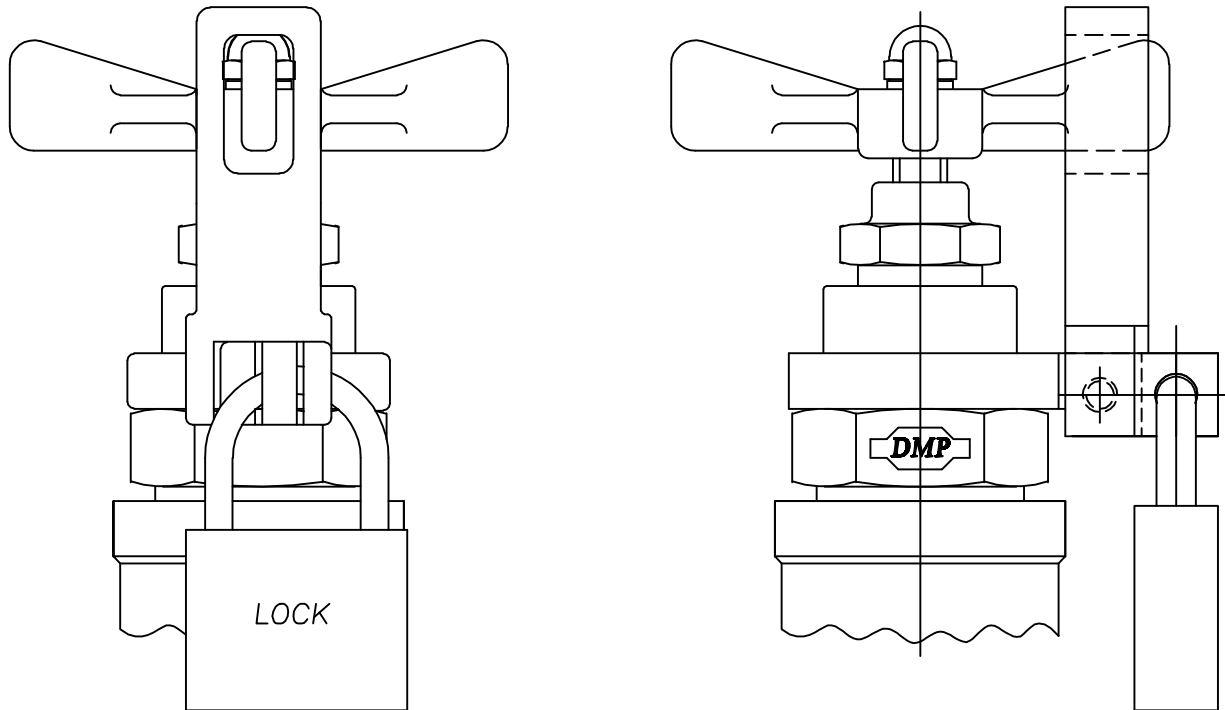
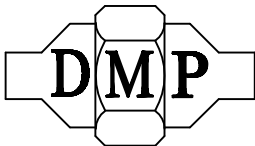


VALVE HANDLE LOCK CAT. NO. M3



THE LOCKING DEVICE M3, SHOWN ABOVE IS AVAILABLE FOR ANY HAND OPERATED VALVE TO PREVENT ACCIDENTAL TURNING OF THE HANDLE. THE SHACKLE, ALIGNED WITH ONE OF THE HANDLE SPOKES, CAN BE LOCKED IN PLACE BY USE OF A PADLOCK (NOT SUPPLIED WITH DEVICE).

FOR ADDITIONAL TECHNICAL INFORMATION SEE "ABOUT" SECTION OF OUR SITE.



"GET THE CONNECTION"
DERBYSHIRE MARINE PRODUCTS, LLC.
HARLEYSVILLE, PA. 19438 U.S.A.

TEL: 267-222-8900, FAX: 267-222-8865

Web: www.derbyshiremp.com