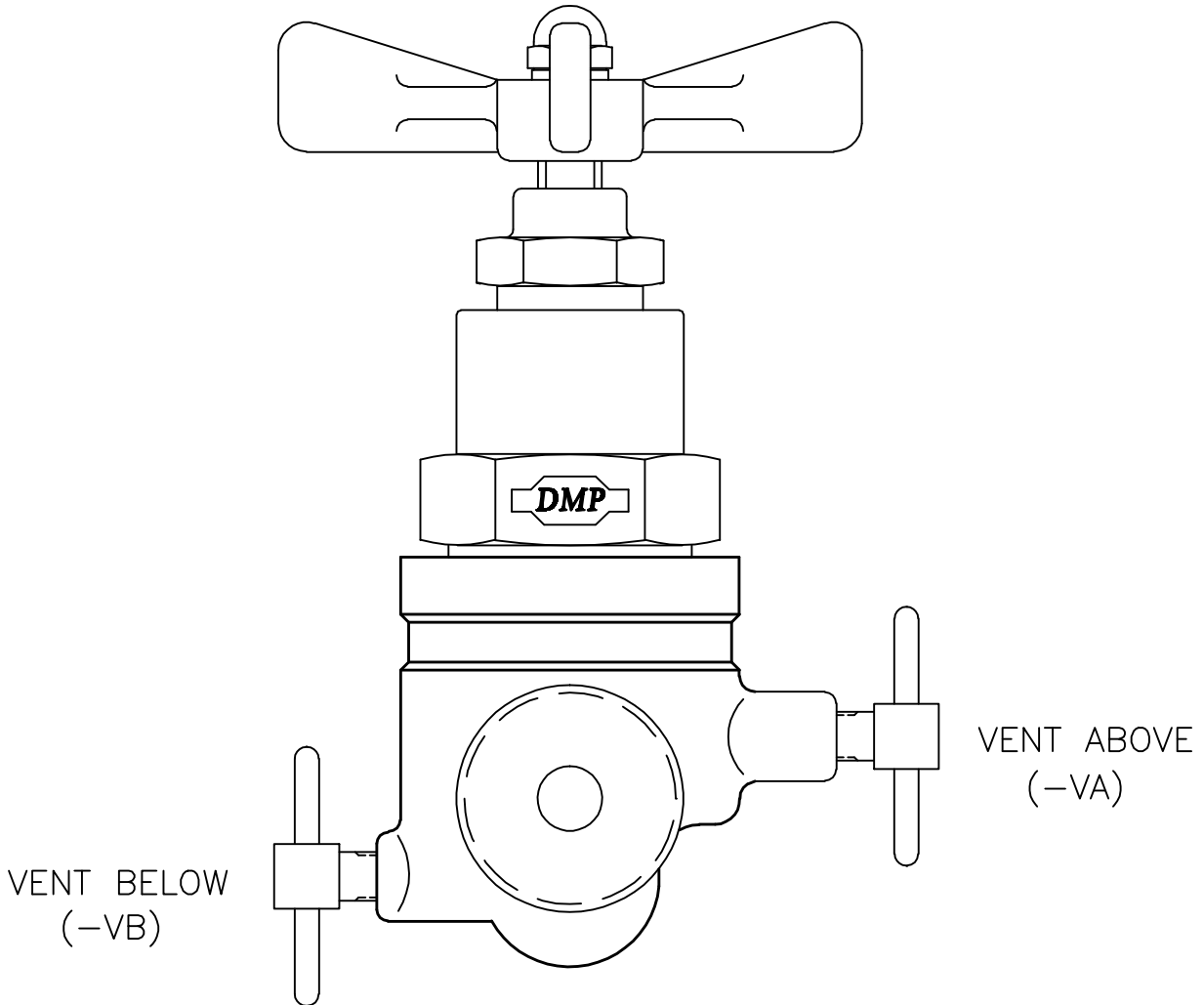
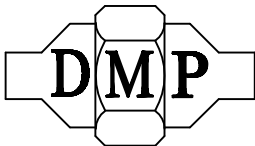


OPTIONAL VENTING ABOVE OR BELOW SEAT



VENT (VA OR VB) FFS VALVES CAN BE FURNISHED WITH PROVISION FOR VENTING ABOVE THE SEAT (-VA) OR BELOW THE SEAT (-VB). THIS PROVISION IS DESIRABLE FOR VENTING (BLEEDING) AIR THAT MIGHT FORM POCKETS IN A HYDRAULIC SYSTEM OR FOR TAKING SAMPLES OF SYSTEM FLUID. NOTE: BECAUSE OF THEIR CONFIGURATION, ANGLE VALVES ARE LIMITED TO ONLY VENTING ABOVE THE SEAT (-VA).

FOR ADDITIONAL TECHNICAL INFORMATION SEE "ABOUT" SECTION OF OUR SITE.



"GET THE CONNECTION"
DERBYSHIRE MARINE PRODUCTS, LLC.
HARLEYSVILLE, PA. 19438 U.S.A.

TEL: 267-222-8900, FAX: 267-222-8865

Web: www.derbyshiremp.com