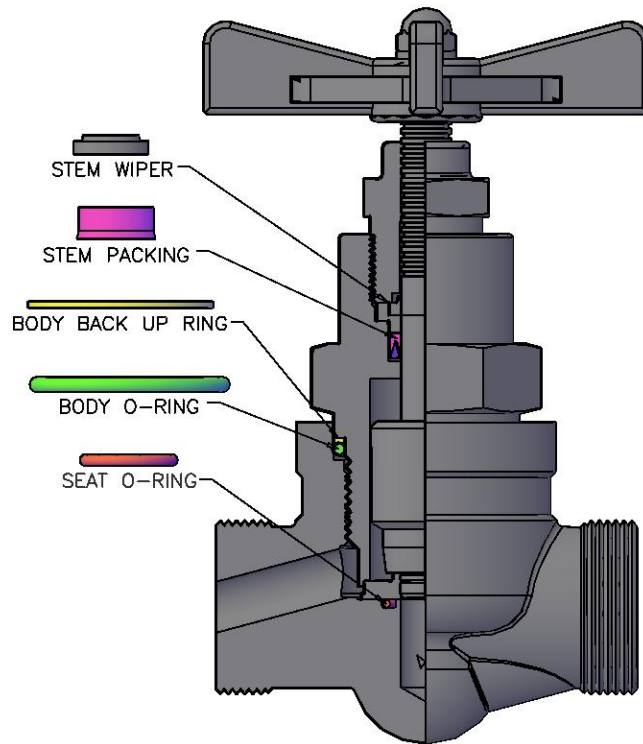


REPAIR SEALS KIT (RSK)



FOR VALVES SIZES 1/8" THRU 1 1/4"
1 1/2" AND 2" VALVES DO NOT REQUIRE THE STEM WIPER

SHOULD THE SEALS USED IN OUR HIGH PRESSURE VALVES EVER
NEED REPLACEMENT, REPAIR SEAL KITS CAN BE ORDERED AS
NOTED BELOW.

TO ORDER A REPAIR SEALS KIT, SPECIFY THE VALVE SIZE, FOLLOWED
BY THE MATERIALS FROM THE GROUPING LISTED BELOW. EXAMPLE SHOWN
ARE THE MATERIALS SUPPLIED IN OUR STANDARD VALVES.

RSK-1-P-V

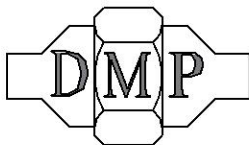
VITON O-RINGS
 POLYURETHANE STEM PACKING AND WIPER
 1/4" (-1)
 REPAIR SEAL KIT

STANDARD MATERIALS:

O-RING: VITON, EPR AND BUNA-N
 STEM PACKING: POLYURETHANE, EPR AND VITON
 BACK-UP RING: ALWAYS TEFLON
 STEM WIPER: ALWAYS POLYURETHANE

VALVE SIZES: 1/8"(-0), 1/4"(-1), 3/8"(-2), 1/2"(-3), 3/4"(-4),
 1" (-5), 1 1/4"(-6), 1 1/2"(-7), 2"(-8).

FOR STEM PACKING INSTALLATION INFORMATION SEE
 OUR INSTALLATION INSTRUCTIONS.



"GET THE CONNECTION"

DERBYSHIRE MARINE PRODUCTS, LLC.

HARLEYSVILLE, PA. 19438 U.S.A.

TEL: 267-222-8900, FAX: 267-222-8865

Web: www.derbyshiremp.com