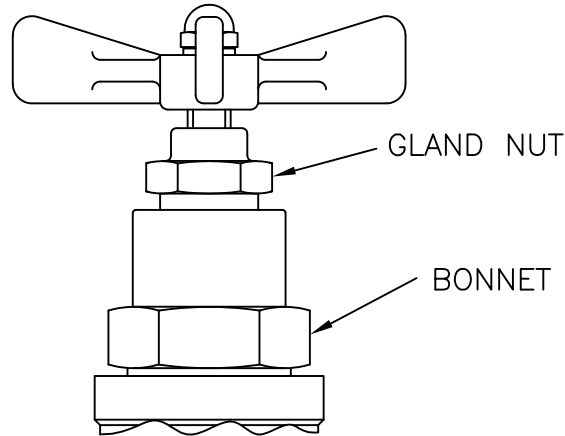


TORQUE INFORMATION



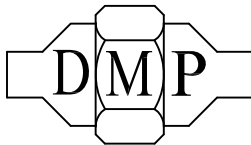
TORQUE VALUES FOR HIGH PRESSURE SERIES
INLINE, ANGLE AND OFFSET VALVES

VALVE SIZE		*		*		**	**
		BONNET MIN	BONNET MAX	GLAND NUT MIN	GLAND NUT MAX	RUNNING	SEAT UNSEAT
1/8	-0	30	38	25	32	15	30
1/4	-1	40	50	25	32	25	50
3/8	-2	70	90	30	38	35	70
1/2	-3	80	100	40	50	50	100
3/4	-4	90	115	40	50	80	160
1"	-5	110	140	55	70	150	300
1 1/4	-6	130	170	55	70	250	500
1 1/2	-7	150	190	110	140	400	800
2"	-8	150	190	110	140	400	950

*TORQUE VALUES IN FT. LBS.

**TORQUE VALUES IN IN. LBS.

THE TABLES LISTED ARE MAXIMUM TORQUES WHICH MAY BE ENCOUNTERED. ACTUAL OPERATING TORQUES ARE USUALLY LESS THAN THE FIGURES SHOWN DEPENDING UPON THE FLUID FLOWING THROUGH THE VALVE ALONG WITH THE STEM LUBRICATION AND THE CONDITION OF THE SEAT.



"GET THE CONNECTION"

DERBYSHIRE MARINE PRODUCTS, LLC.

LANSDALE, PA. 19446 U.S.A.

TEL: 267-222-8900, FAX: 267-222-8865

Web: www.derbyshiremp.com